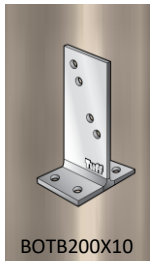
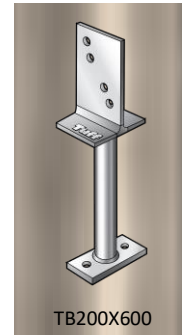
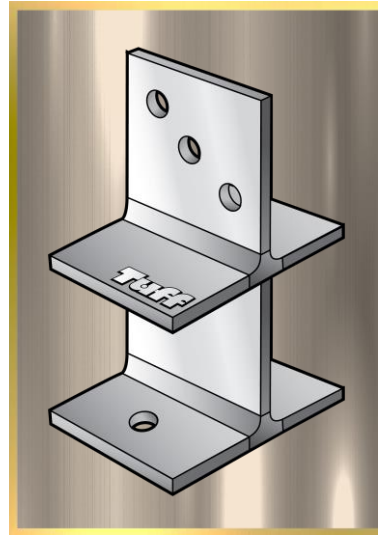
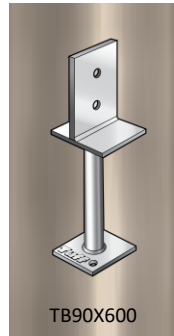
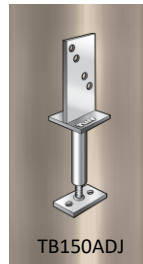


TBXSM200

T BLADE, EXTRA HEAVY DUTY, SURFACE MOUNT



PRODUCT CODE	: TBXSM200
BARCODE	: 9314691804993
BLADE SIZE	: 200MM X 200MM
POST SIDE	: 200MM
BLADE HOLE SIZE	: M12
BASE HOLE SIZE	: M16
MADE FROM	: 10MM
FINISHING	: HOT DIP GALVANISED

NOTES:

- IDEAL FOR PERGOLA, CARPORT AND VERANDA POSTS
- PRIMARILY USED FOR BOLTING TO EXISTING TIMBER DECKING OR CONCRETE BASE
- HAS 4 HOLES – 2 X M16 HOLES IN THE BASE AND 3 X M12 HOLES IN THE BLADE